

American Personality Pro™ Luxury Flooring



The Perfect Mix of Colors and Designs to Match Every Style



No Acclimation Required

Lose the wait – American Personality Pro is ready to be installed right away without any wasted acclimation time.



Unrivaled Performance

Diamond 10° Technology resists stains, even driveway sealer to keep floors looking newer, longer. Our proprietary Bounce Back™ Core provides superior indent resistance.



Made in the USA

Ready to ship right away with no delays. American Personality Pro floors are manufactured in the USA with global and domestic content.



100% Waterproof Planks

American Personality Pro flooring is perfect for high moisture areas such as kitchens, bathrooms and laundry rooms.

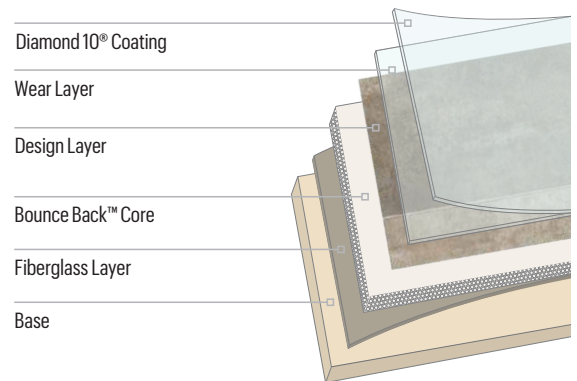


Outperforms Thermal Pest Control

Avoid damage from bed bug heat treatment. American Personality Pro comfortably withstands temperatures up to 160°F, outmatching the lethal temperature for bed bugs (118°F - 130°F).

Product Specifications

Construction	Luxury Vinyl Plank (LVP)
Nominal Size	6.5" x 48"
Overall Thickness	2.0 mm
Wear Layer	12 mil, Diamond 10°
Edge Detail	Square
Coverage	18 pcs. per ctn; 38.88 sq. ft. per ctn
Installation	Glue Down, No Acclimation Required
Warranty	35-Year Limited Residential / 5-Year Limited Commercial
Flame Spread ASTM E 648	0.45 W/cm ² or more Class I
Smoke Evolution ASTM E 662	450 or less
Acoustical Performance	IIC 41, STC 52, Delta IIC 13
Temperature Performance	32°F – 160°F
Unique Visuals	30 per design



P1000
Pembroke Oak
Natural

P1001
Pembroke Oak
Biscuit

P1011
Pembroke Oak
Honey Tan

P1012
Pembroke Oak
Silver Surf

P1010
Pembroke Oak
Gotham Mist

P1003
Crafted Oak
Parchment



P1005
Norsewood
Hayloft

P1006
Homespun Impression
Antique Beige

P1013
Homespun Impression
Alden Field

P1007
Homespun Impression
Golden Hour

P1008
Homespun Impression
Wild Truffle

P1009
Homespun Impression
Thunderbolt

Visit FloorExpert.com

for complete Product, Technical, Adhesives, Installation & Maintenance recommendations
AF-1057-1023



FloorScore® is a trademark of the Resilient Floor Covering Institute.

Armstrong Flooring™ and the ArmstrongFlooring™ logo are under license from AWI Licensing, LLC. All other trademarks are owned by AHF, LLC, or its subsidiaries or affiliates. | ©2023 AHF, LLC. NOTE: Due to printing limitations, colors pictured cannot be guaranteed to match actual flooring material.